



# SERVICE PARTS LIST

**BULLETIN NO.**  
54-00-2560

SPECIFY CATALOG NO. AND SERIAL NO. WHEN ORDERING PARTS		REVISED BULLETIN	DATE
5 H.P. ALTERNATOR—2250 WATTS			July '80
CATALOG NO. 4505	STARTING SERIAL NO. H793 477202	WIRING INSTRUCTION	
		58-01-0966	

3600 R.P.M.

FIG. PART NO.	DESCRIPTION OF PART	NO. REQ.
46	23-33-0370 Duplex Receptacle	(2)
47	06-81-5640 8-32x3/4" Pan Hd. Screw W/E.T. Lockwasher	(1)
48	06-55-0830 8-32 Hex Nut	(1)
49	23-38-2781 Bridge Rectifier	(1)
50	22-12-0170 Receptacle Box	(1)
51	06-81-5477 6x3/8" Pan Hd. Screw W/E.T. Lockwasher	(2)

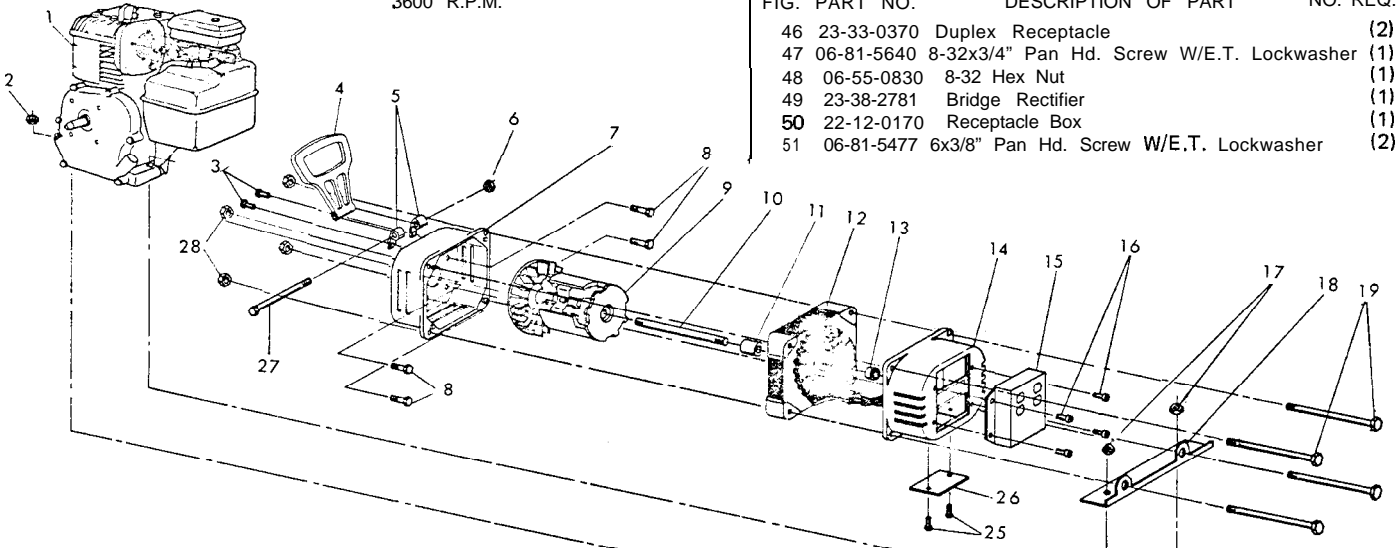


FIG. PART NO.	DESCRIPTION OF PART	NO. REQ.
1	5 H.P. Engine (For Components Refer to Engine Manufacturer)	(1)
2	06-55-1 970 5/16-18 Hex Nut W/E.T. Lockwasher	(2)
3	06-75-0298 5/16-18x5/8" Hex Hd. Cap Screw	(2)
4	43-62-0780 Carrying Handle	(1)
5	43-70-0060 Carrying Handle Hinge	(2)
6	06-57-5000 1/4-20 Hex Nut	(1)
7	42-04-3540 Engine to Generator Adapter	(1)
8	06-75-0352 5/16-24x3/4" Hex Hd. Cap Screw	(4)
9	23-40-0480 Rotor (Includes 22-84-0730 Fan)	(1)
10	06-92-1 255 5/16x5.99" Stud	(1)
11	45-22-0370 Sleeve	(1)
12	23-58-0640 Stator	(1)
13	06-55-3780 Nut	(1)
14	- End Bell	(1)
15	- Receptacle Box	(1)
16	06-95-0310 10-32x3/8" Pan Hd. Screw	(4)
17	06-55-1 970 5/16-18 Hex Nut W/E.T. Lockwasher	(2)
18	42-36-1 290 Generator Mounting Bracket	(1)
19	06-75-1 240 1/4-20x4-1/2" Hex Hd. Cap Screw	(4)
20	06-75-0021 10-32x1/2" Hex Hd. Cap Screw W/E.T.	(1)
21	23-74-0760 Ground Lug	(1)
22	42-20-0560 Mounting Channel	(2)
23	06-75-0302 5/16-18x3/4" Hex Hd. Cap Screw W/E.T.	(2)
24	06-75-0330 5/16-18x1/2" Hex. Hd. Cap Screw W/E.T.	(2)
25	06-75-2350 10-32x3/8" Hex. Hd. Cap Screw	(2)
26	22-68-0160 Cover	(1)
27	06-75-1 240 1/4-20x4-1/2" Hex. Hd. Cap Screw	(1)
28	06-55-1 505 1/4-20 Hex. Nut W/E.T. Lockwasher	(4)
29	44-34-0130 Vibration Dampener	(4)
30	45-88-7710 1-1/2" O.Dx1/4" Thick Washer	(4)
31	06-75-0297 5/16-18x1/2" Hex. Hd. Cap Screw	(4)
32	02-50-4250 Roller Bearing	(1)
33	44-60-0580 Locking Pin	(4)
34	06-81-5670 No. 6x3/8" Pan Hd. Tapping Screw	(4)
35	42-36-0990 Capacitor Mounting Bracket	(1)
36	22-33-0230 Capacitor	(1)
37	42-25-0320 End Bell	(1)
38	23-94-9690 3" Lead	(1)
	23-94-9695 3-1/4" Lead	(1)
39	22-20-0310 Brush Guide	(1)
40	22-1 B-051 0 Carbon Brush	(2)
41	23-74-0770 Terminal Tab	(2)
42	23-74-0490 Terminal Tab	(1)
43	06-75-0014 No. 6x5/8" Hex Hd. Cap Screw	(1)
44	23-74-0580 3 Place Terminal	(1)
45	22-36-0100 15 Amp Circuit Breaker	(2)

